



Entrances

Standard Doors in Stock

- Narrow Stile Pivot Hinge Singles & Pairs
- NA Stock size: 3'x7', 42"x7', & 6'x7'
- Medium Stile butt Hinge Singles & pairs
- MD Stock size: 3'x7', 3'x8', 42"x7', & 6'x7'
- Standard Locking & Exit Devices
- 3-1/2" & 10" Bottom Rails
- Clear & Dark Bronze Anodize
- Standard Frames Transom & Side Light

Custom Entrances

- Narrow, Medium,&Wide Stile
- Standard & Custom Hardware

BI-FOLD SLIDING DOOR

Storefront Systems

JM-50, FLUSH GLAZING SYSTEM

- 1-3/4" x 4-1/2"
- Glass:1/4"

JM-51, Flush Glazing System

- 2"x4-1/2"
- Glass:1"

FIN TUBES Glazing System

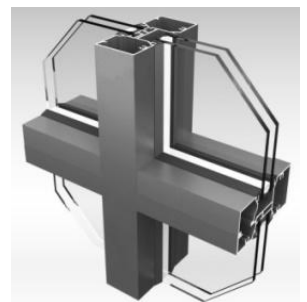
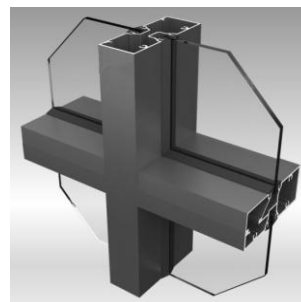
- 1-3/4" x 4"
- Glass:1/4"-1"

Finishes

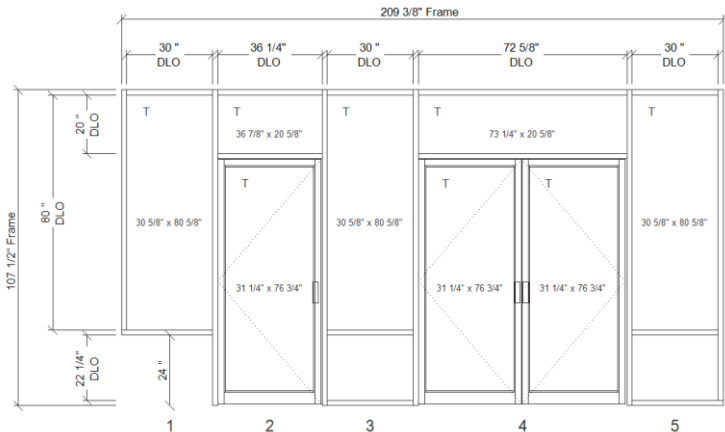
- Clear & Dark Bronze Anodized

Storefront Fabrication

- Complete Fabrication
- fabricated by shop drawing
- Shipped Knocked Down(KD)
- Packaged by elevation



ALUMINUM IS AVAILABLE IN CLEAR ANODIZE & BRONZE ANODIZE



SEND US YOUR STOREFRONT DIMENSIONS & WE WILL TAKE CARE OF THE REST .The glass is fabricated to your specifications , All metal is precut , Complete system ready to be installed!

Storefront Fabrication

- Complete Fabrication
- fabricated by shop drawing
- Shipped Knocked Down(KD)
- Packaged by elevation

Aluminum Angle

- 1"X1"x15ft ,
- 1-1/2"X1-1/2" x15ft
- 1-3/4"X1-3/4" x15ft

Double Face Panel

- 1/4"x4'x8' or 1/4"x4'x10'
- 1"x4'x'8' or 1"x4'x10'

Door Hardware

Dead bolt lock ,Hook lock ,Latch lock , Paddle , Lever handle , Cylinder , Thumb turn,Electric strike,Cont.hinge, Panic device , Door closer
Glazing rubber , C-Pull, Stainless Steel Ladder Pull

STOCK DOOR GLASS

- 31-1/4"X76-5/8" (for 3'x7' narrow stile door)
- 37-1/4"X76-5/8" (for 42"x7' narrow stile door)
- 34-1/4"X74-1/2" (for 42"x7' medium stile door)
- 28-1/2"X74-1/2" (or 3'x7' medium stile door)
- 28-1/2"X86-1/2" (or 3'x8' medium stile door)2

Fin & Flat Tubings

- Single Fin Tubes
- Double Fin Tubes
- Gasket Fin Tubes
- Square Tubes

Aluminum Sheet

- 0.032"x4'x10'