

# Hollow Metal Doors & Hardware

Standard Stock Sizes	20GA						18GA		
WIDTH	2'-0"	2'-4"	2'-6"	2'-8"	2'-10"	3'-0"	3'-0"	3'-6"	4'-0"
HEIGHT	6'-8" OR 7'-0"								



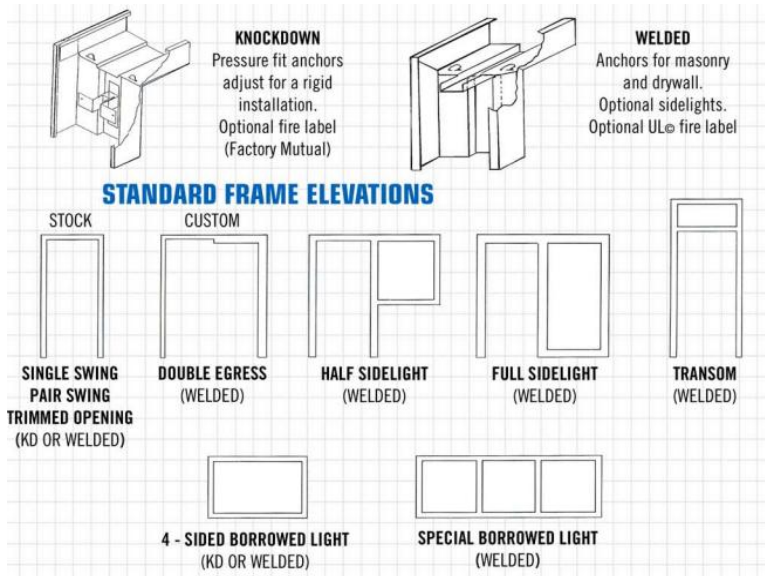
**LITES & LOUVERS**



**Vertical Rod Panic And Exit Devices**

## SIGN DOOR & PAIR DOOR

## Trim Selection



**Lever**



**Knob**



**Pull**



**Door Closer**



**Spring Hinges**



**Flush Bolt**

## Cylindrical Lockset



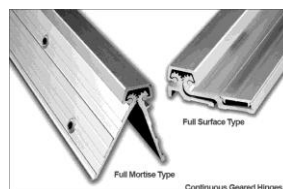
**Lever sets**



**Deadbolt**



**Heavy Duty Chain**



## CONTINUOUS HINGE

**Full Mortise Type**  
**Full Surface Type**

- HOT-DIP GALVANNEAL STEEL-READY FOR PAINT
- MITERED CORNERS
- SPECIALS
- MASONRY AND DRYWALL
- OPTIONAL LABEL
- AVAILABLE KNOCKDOWN OR WELDED